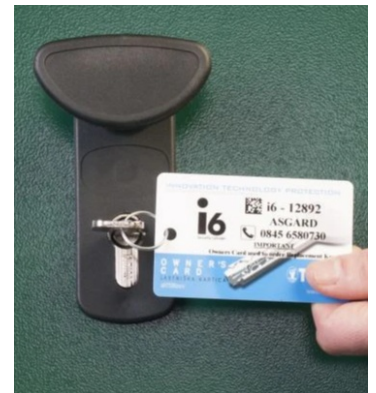


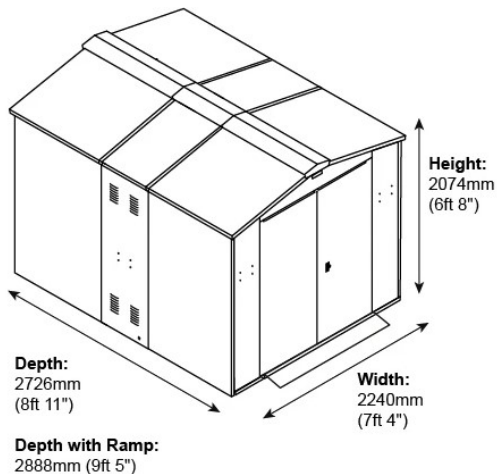
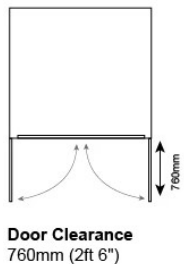
SafeStore Deepdale Secure Storage Unit

- * Size: 2240mm (7ft 4in) wide x 2726mm (8ft 11in) deep * Colours available: Green, Dark Grey or Ivory
- * Standard accessories: timber floor, universal ramp, shelves and hooks/hook rail.
- * Additional accessories available: tool rail, hanging bike racks and single and double bike stands, heavy duty ladder and tool rack, LED sensor lights (240mm or 600mm)



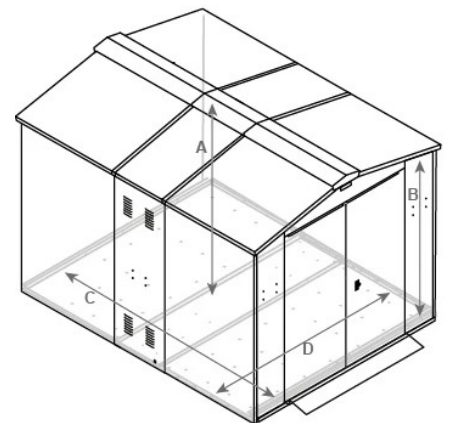
External Dimensions

Weight:
378kg (59.5 stone)
Door Aperture:
1690mm (5ft 6") x
1420mm (4ft 7")



Internal Dimensions

A. Internal Height (to apex):
1980mm (6ft 6")
B. Internal Height (to eaves):
1820mm (5ft 11")
C. Internal Depth:
2600mm (8ft 6")
D. Internal Width:
2140mm (7ft 0")



- * 10 year warranty
- * Supplied with 2 keys
- * Reinforced panels
- * 378kg in weight (59.5 stone)
- * 5 point locking system
- * Large easy access double doors
- * Designed and made in the UK
- * Welded hinges
- * Electric mounting plate